



**Before You Start:**

Please familiarize yourself with all the steps before beginning assembly.

**Installation information:**

- Approximate installation time: 1 – ½ hours
- This product is easiest to install with: 2 people

**Compatibility Info:**

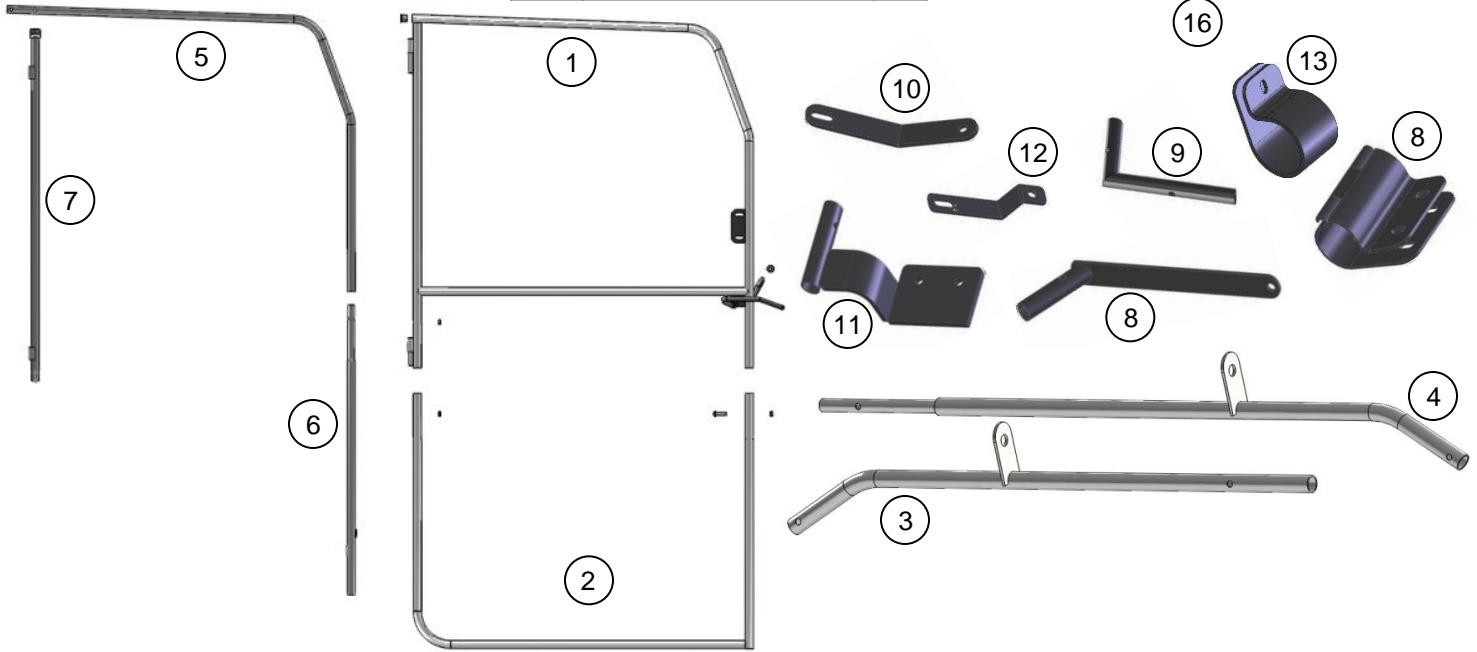
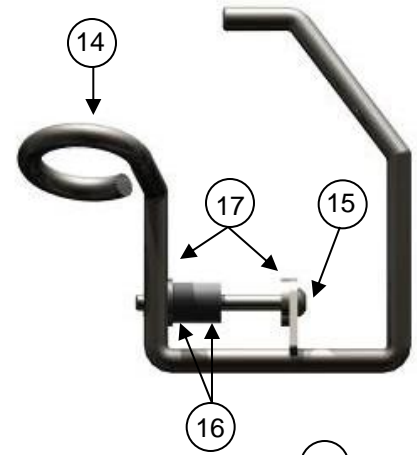
This Door System is designed to work with other Seizmik branded Accessories for the Kubota RTV900 as well as OEM Kubota branded hard tops. Please note Seizmik cannot guarantee fitment with other branded aftermarket products. Please research installation details thoroughly on our products & others when trying to combine different branded accessories.

Seizmik makes Windshields, Mirrors, Cab Systems, Light Bars, Storage Boxes, Hood Racks, and other great accessories for UTV's to maximize the vehicles usefulness. To help you do what you do better.

If you have any questions, comments, need assistance, or are missing parts, please call 1-866-838-3366 xt.110 between 9:00AM and 5:00PM EST. Or email us at [support@seizmik.com](mailto:support@seizmik.com). Visit [www.seizmik.com](http://www.seizmik.com) for more information on our products.

# Ranger Doors Parts List

Item	Description	Qty.	Item	Description	Qty.
1	Upper Door Frame	2	11	Lower hinge bar bracket	2
2	Lower Door Frame	2	12	Lower Bracket	2
3	Door Frame Hanger Left	2	13	ROPS Clamp	2
4	Door Frame Hanger Right	2	14	Door Handle	2
5	Door Side Frame Upper	2	15	1/4-20 x2.5" Bolt and Nut	2
6	Door Side Frame Lower	2	16	Door Handle Spacers	4
7	Door Hinge Bar	2	17	1/4 Washers	8
8	Upper Hanger Bracket	2	18	M6x20 Button Head Bolt	4
9	Elbow	2	19	M6x25 Button Head Bolt	18
10	Upper Bracket		20	M6x30 Button Head Bolt	4
			21	M6 Self Locking Nuts	26



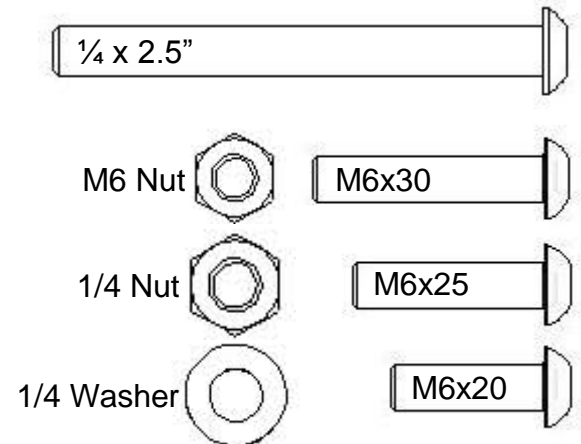
## Textiles

- 1. Upper Passenger Door
- 2. Lower Passenger Door
- 3. Upper Driver Door
- 4. Lower Driver Door
- 5. Passenger Side Panel
- 6. Driver Side Panel

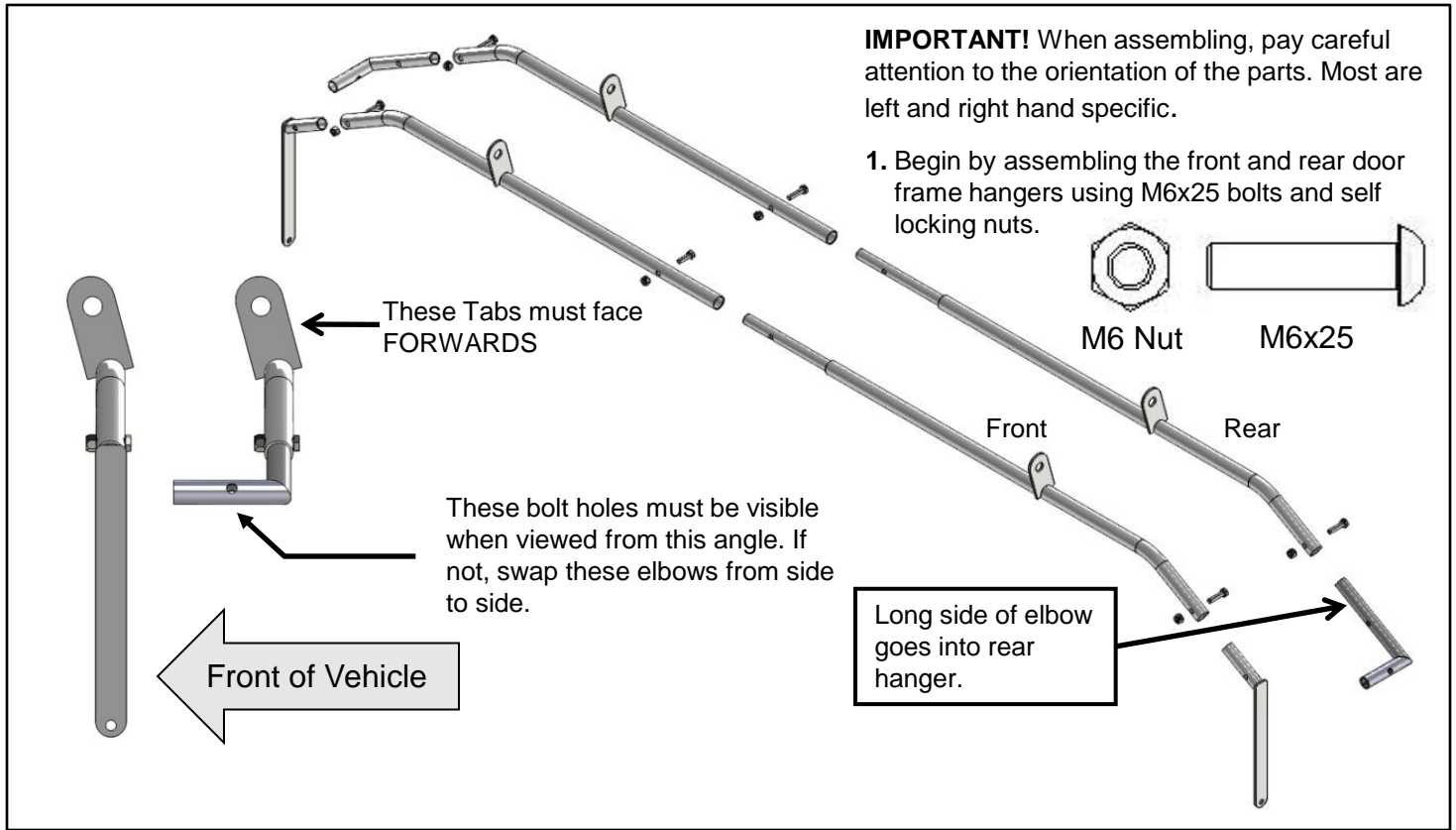


## Bolt Index

Fasteners shown full size. Use as a reference



## Assembling Front & Rear Door Frame Hangers:



**IMPORTANT!** When assembling, pay careful attention to the orientation of the parts. Most are left and right hand specific.

1. Begin by assembling the front and rear door frame hangers using M6x25 bolts and self locking nuts.

M6 Nut      M6x25

Front      Rear

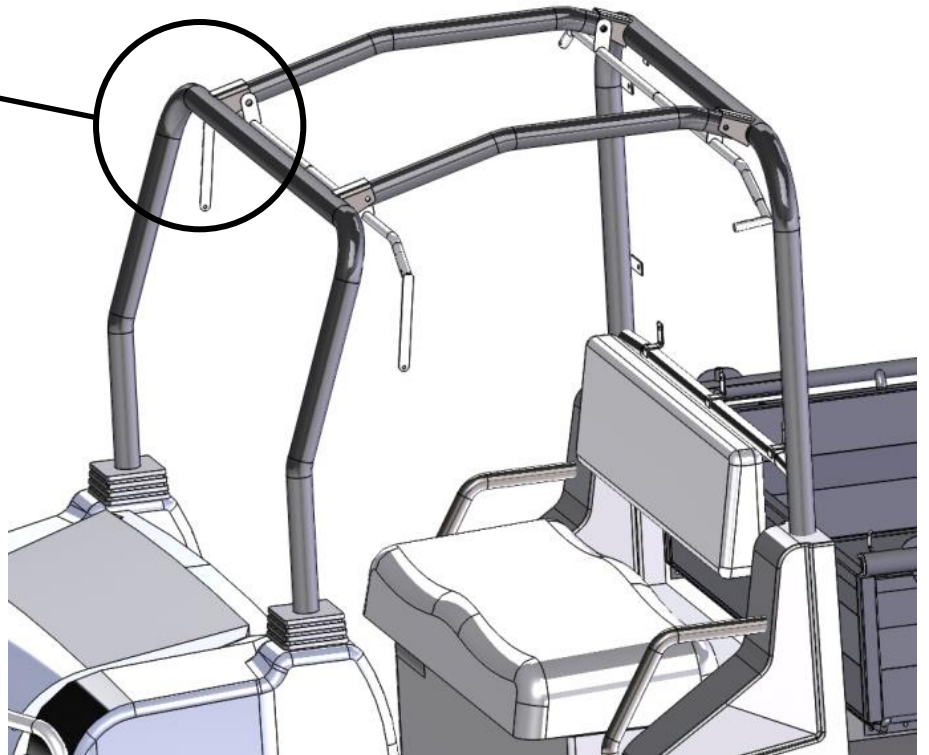
These Tabs must face FORWARDS

These bolt holes must be visible when viewed from this angle. If not, swap these elbows from side to side.

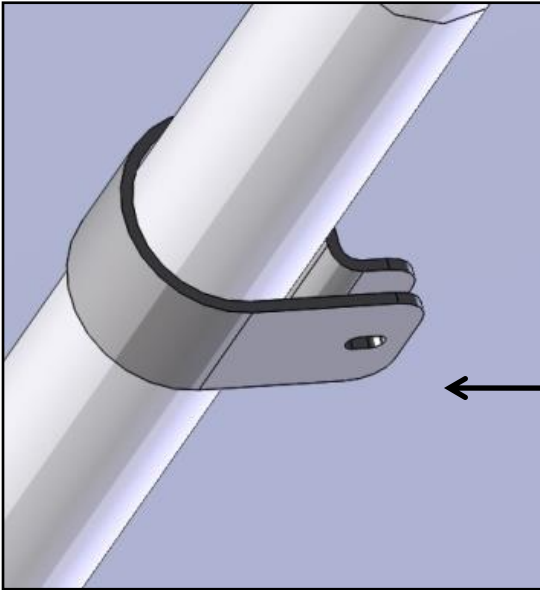
Front of Vehicle

Long side of elbow goes into rear hanger.

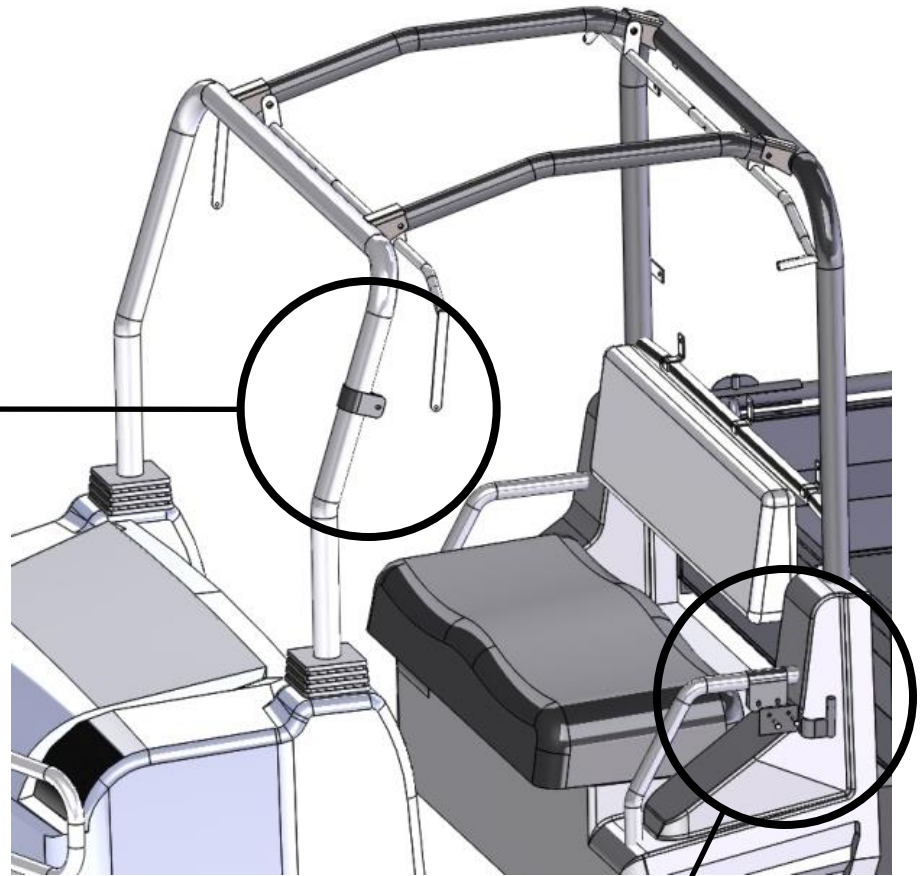
2. Using a 14mm wrench, remove these 4 roll cage nuts and install the assembled supports. Reinstall nuts but do not tighten yet.



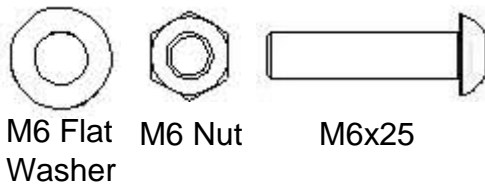
## Assembling ROPS Clamp & Lower Door Tube Brackets:



3. Open and snap plastic ROPS Clamp over this area of roll cage. Place in approximately this location and orient as shown. Repeat for passenger side.



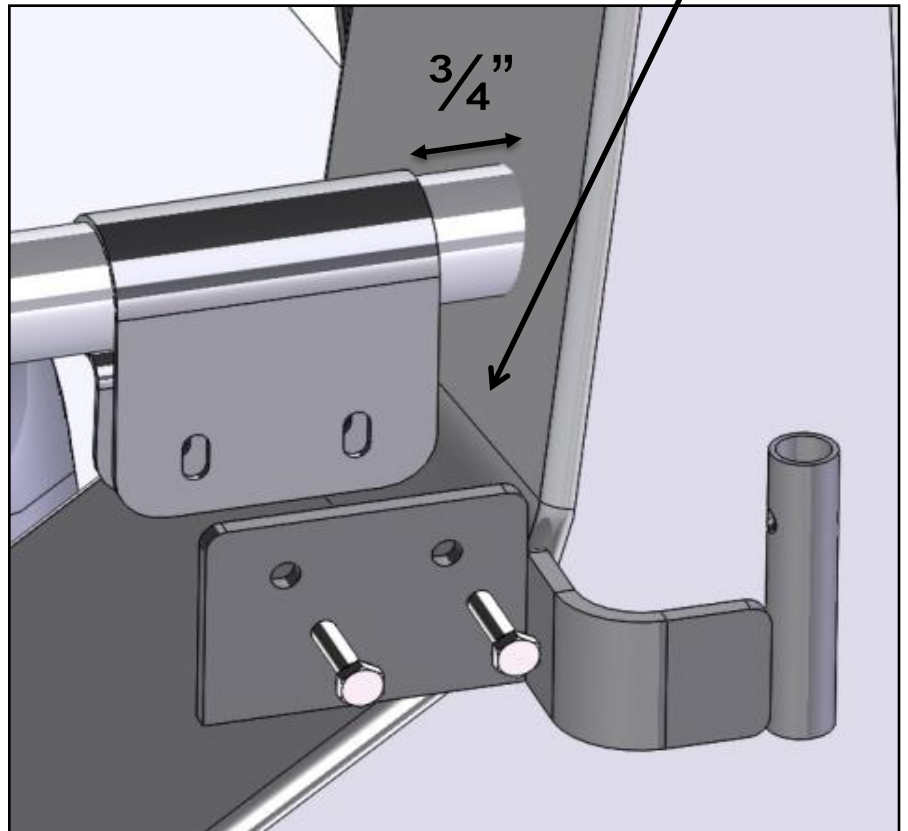
4. Open and install lower clamp over seat grab bar. Orient clamp as shown approximately  $\frac{3}{4}$ " from plastic trim panel. Locate the correct lower door tube bracket. These are left and right specific, orient as shown and install using 2 M6x25 bolts, M6 flat washers (place on the inside where the nuts go), and M6 self locking nuts. Snug bolts but do not tighten at this time. Repeat for passenger side.



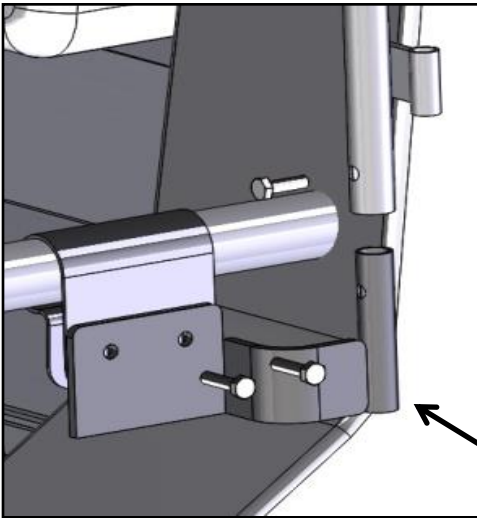
M6 Flat Washer

M6 Nut

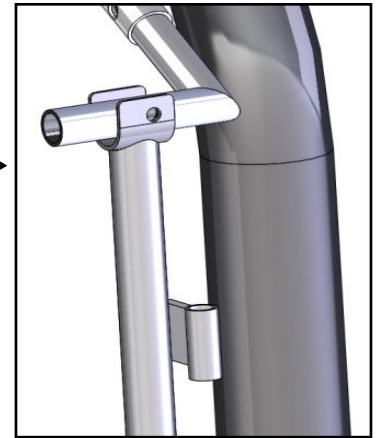
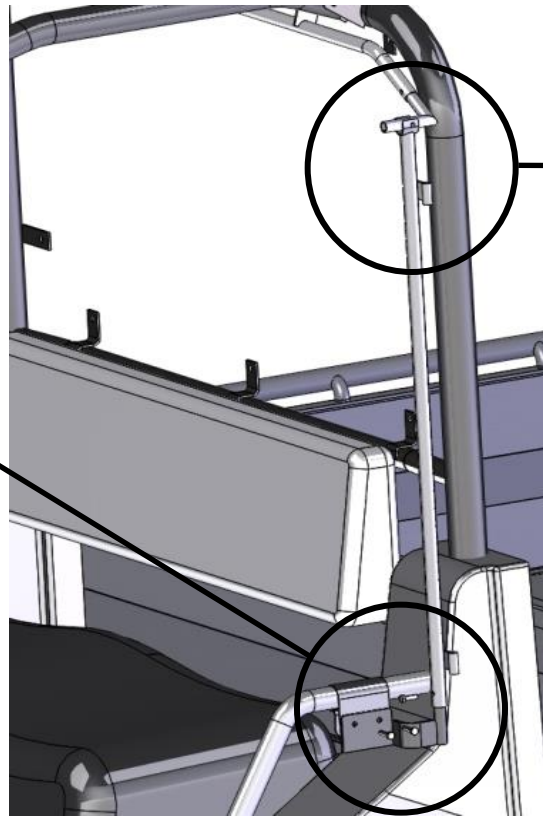
M6x25



## Assembling Door Hinge Bars:

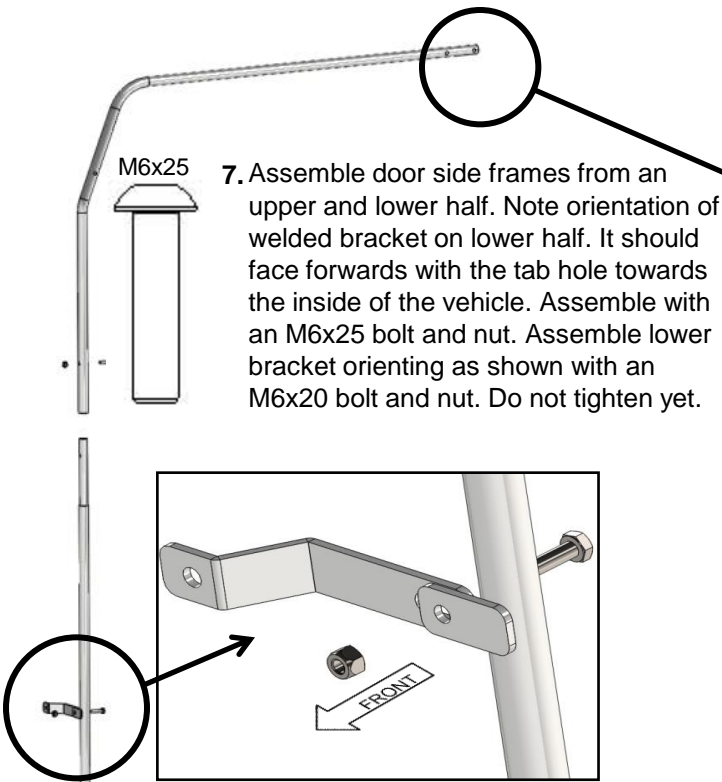


5. Locate the correct side door hinge bar. The hinge tubes will orient as shown with tubes facing away from the seats and on the back side of the vertical tube. The U shaped bracket will be on top. Slide onto the lower door tube bracket and secure with an M6x25 bolt and nut. Do not tighten at this time. Repeat on other side.

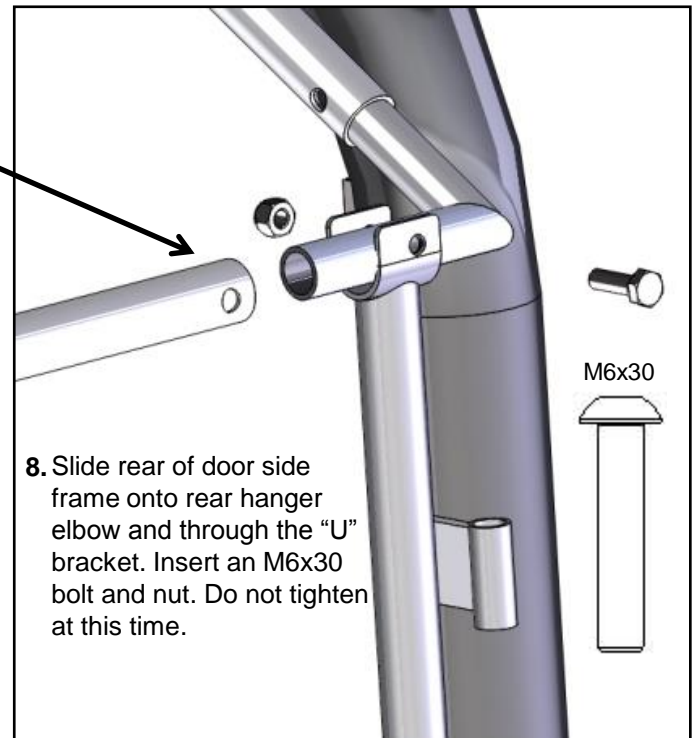


6. Place elbow from rear hanger in "U" of door hinge bar.

## Assembling door side frames:

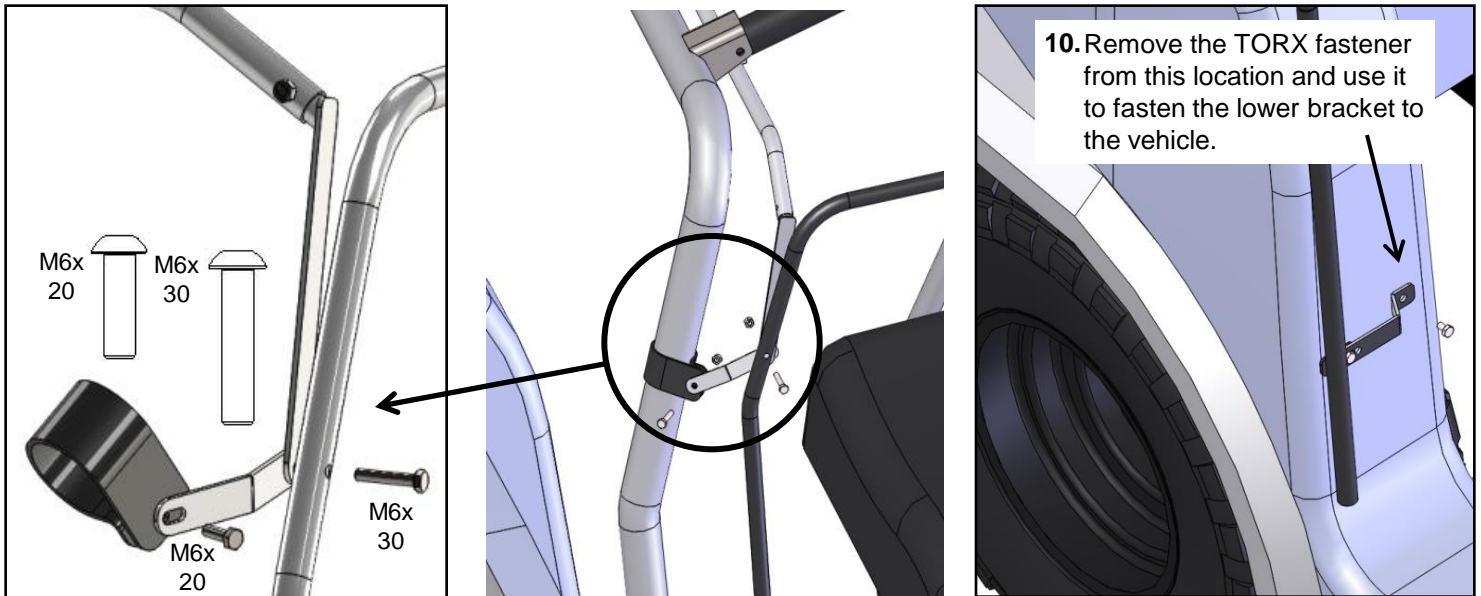


7. Assemble door side frames from an upper and lower half. Note orientation of welded bracket on lower half. It should face forwards with the tab hole towards the inside of the vehicle. Assemble with an M6x25 bolt and nut. Assemble lower bracket orienting as shown with an M6x20 bolt and nut. Do not tighten yet.



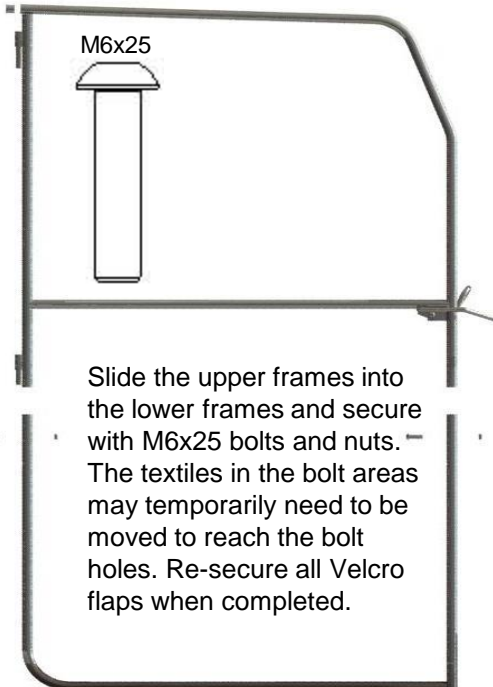
8. Slide rear of door side frame onto rear hanger elbow and through the "U" bracket. Insert an M6x30 bolt and nut. Do not tighten at this time.

## Installing Door side Frames and Brackets:



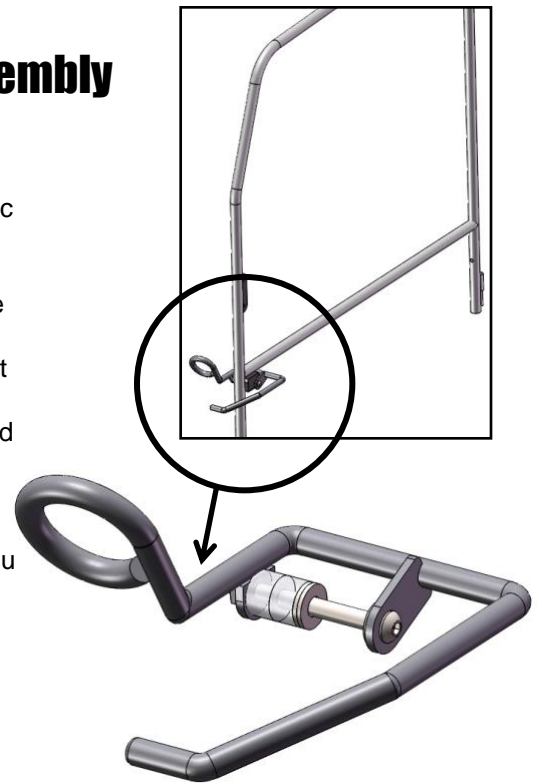
This completes the assembly of the door frames. You may now tighten all the bolts and move on to the rest of the installation.

## Door Assembly



## Door Handle Assembly

Assemble door handle as shown using the 1/4x2.5" Bolt, 4 1/4 washers, 2 plastic spacers, and a nut. The 2 spacers and 3 washers will go on the interior side of the handle. The 4<sup>th</sup> washer will go on the outside. Install but do not tighten the nut yet. When the textiles are on and the doors are installed, you can swap the washers around to adjust how tight the handle closes. When you are done adjusting, tighten the nut just enough so that the handle is not loose, but will just stay in any position.

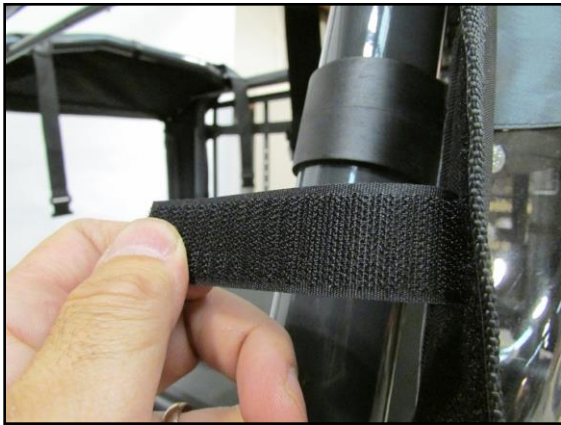


## Textile Installation:



1. Install the textile side panels over the door hangar frame by wrapping the Velcro flaps around the vehicle roll cage & the hangar frame assembly.

**Tip - Raise the dump bed for easier installation**



2. Securely fasten all Velcro straps around roll cage



3. Pull compression straps over roll cage & buckle. Tug on straps to secure the Side Panels tight.

**\*Note: Compression straps route under hard tops**



4. Buckle the back straps and tighten.



5. Note Velcro on inside edges of side panels along roll cage, and on lower body. Peel off self adhesive backing and stick to roll cage and body.



**IMPORTANT!** Wipe roll cage bars and body with rubbing alcohol to remove dirt & grease.

## Mounting the Doors:



Mount the doors by guiding the pins in the back of the door frame onto the hinge barrels along the Rear Hangar Bar.



# Accessories Installation:

## Installing Windshields with this Door System:

**IMPORTANT: Please review the outlined procedure as not all windshield mounting systems are the same & yours may require a different approach to working with this door system.**

There are two fundamentally different ways to mount the system:

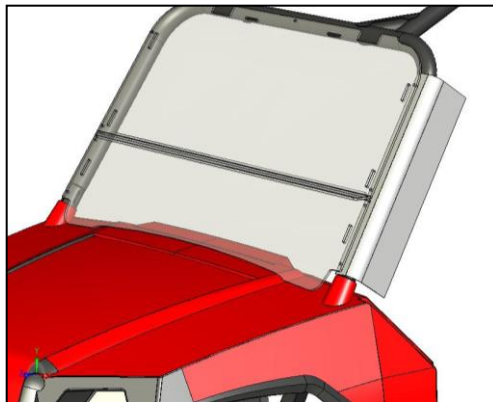
1. If you have a full 1pc Windshield:
  - Mount the windshield first, then Velcro the side panels directly over the side edges of your windshield.
2. If you have a Half Windshield or 2pc. setup like a Versa Shield or similar :
  - It is best to mount the side panels directly to the front roll cage bars, then mount the windshield over the side panels. You will need to cut out notches in the side panels to accommodate the P-Clamps or Straps that mount the windshields.
3. Other windshields:
  - Other types of windshields may require different approaches to combining with this door system.

The following procedure is based on item 2 above. Fully familiarize yourself with the sequence. If you study your windshields mounting procedure, you will be able to retrofit according to your specific requirements.

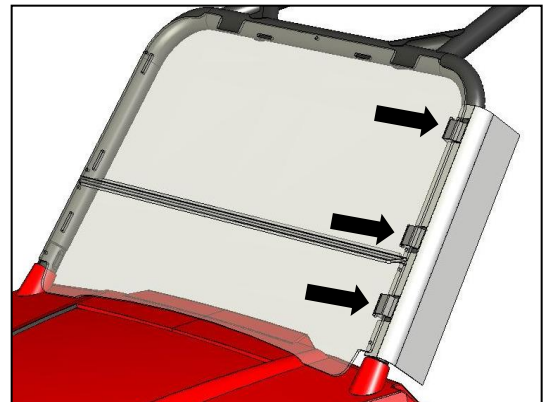
### Versa-Shield Windshield P/N23048 (not included):



1. Mount side panel cab sections positioned correctly & taught.



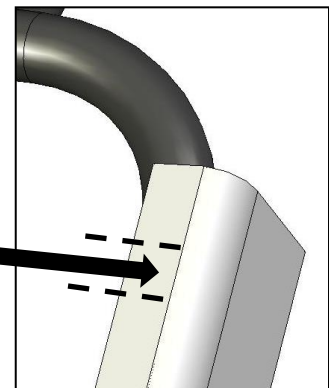
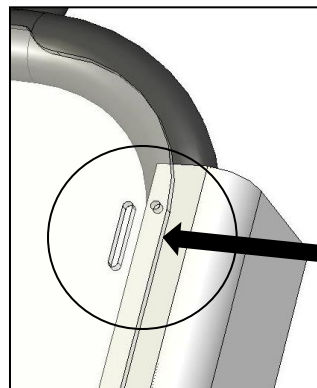
2. Lay the windshield in position noting location of the slots where the mounting straps will go



3. Be sure to clearly note where the mounting straps/clamps will be positioned relative to the side panel

**NOTE: You will cut the side panels – Ensure they are positioned correctly.**

4. Mark the fabric where straps/clamps are located as this is where the side panel textile will need to have slots cut.



**IMPORTANT: Carefully verify the windshield is positioned correctly when marking for the cuts!**

# Accessories Installation:

## Versa-Shield Windshield (not included):

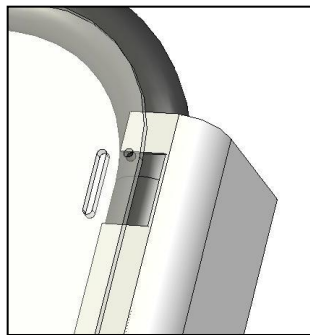


6. Mend the cuts with a lighter. Hold the flame on the material edge just long enough to melt the edge slightly. This will prevent the material fraying over time.

5. Cut 2 horizontal slits across the edge of the fabric to create tabs. Do not cut past the first vertical seam.



7. Fold cut flap back into panel



6. Install windshield on top of the side panels



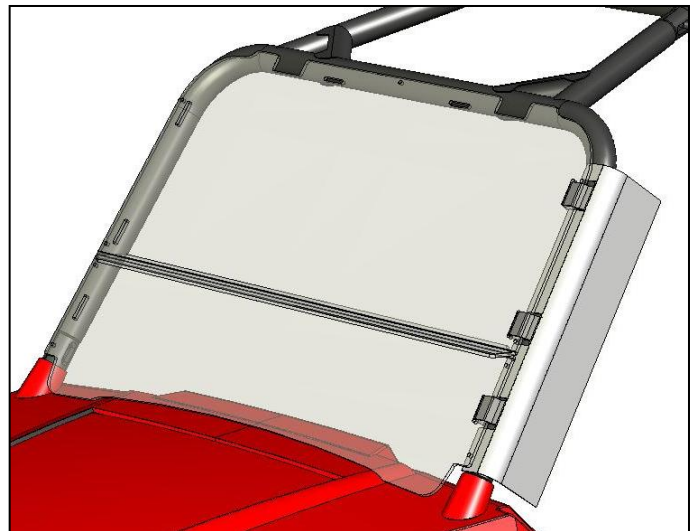
8. Install straps lacing through the flap opening to the inside of the cab & secure Velcro strap or P-Clamps. Reference Sezmik Versa-Shield Manual for Strap operation instructions..

## SEIZMIK Hood Rack P/N 08052 (not included):



The side panel textile needs to be cut to accommodate the hood rack roll cage clamp / brackets.

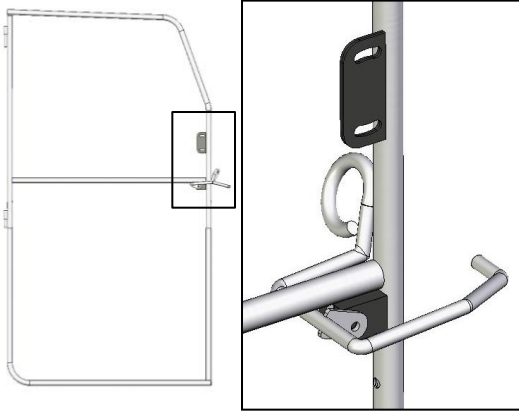
Follow the procedure outlined for the windshield strap / clamp and LED Light Bar.



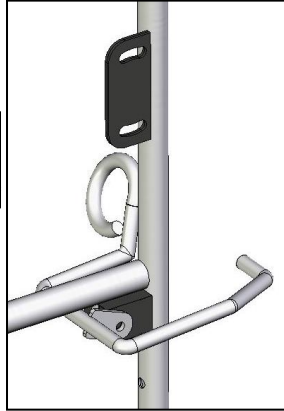
9. Adjust as required & secure straps tightly.

# Accessories Installation:

## SEIZMIK Side View Mirrors P/N18041 (not included):



The Upper Door Frame has provisions to mount SEIZMIK 18041 Side View Mirrors.



Locate plate behind inside Velcro flap & mark to punch holes in fabric.



Install mirror with supplied hardware. Adjust position as required.

**TIP:** Tension adjustment bolt to tighten mirror movement if required

## SEIZMIK LED Light Bar P/N12030 (not included):



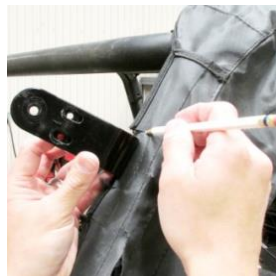
1. Mount bar to vehicle & verify position in correct  
**NOTE:** Verify windshield hardware if applicable



2. Mark position of light bar clamps on roll cage.



3. Remove bar & Install side panels to the front roll cage bars correctly.  
**NOTE:** Verify position of side panels on the roll cage bars!!! You will cut the material & don't want to cut in the wrong location!!!



4. Reinstall side panels, verify light bar clamp position & mark fabric



5. Cut fabric across Do not cut past vertical seam



6. Cut fabric across Do not cut past vertical seam



7. Fold cut flap inside



8. Install light bar bracket & bar